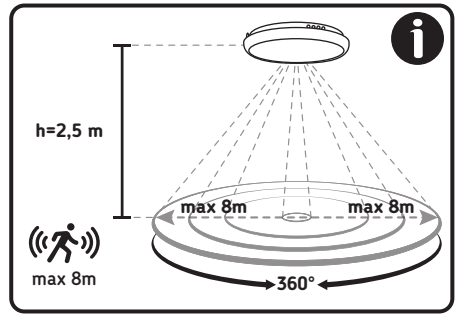
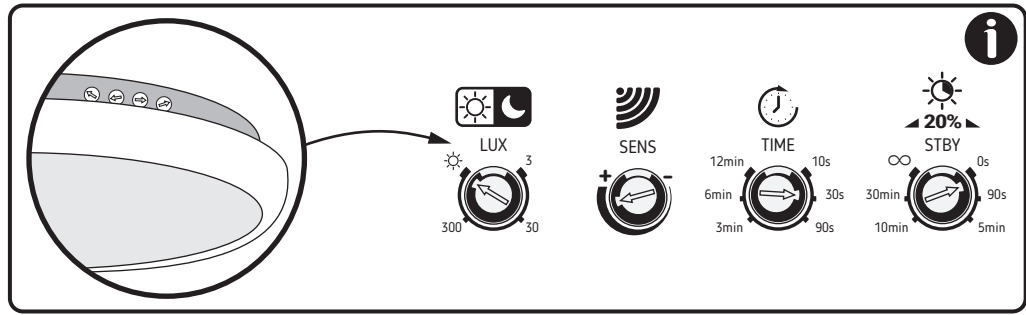
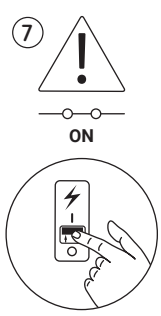
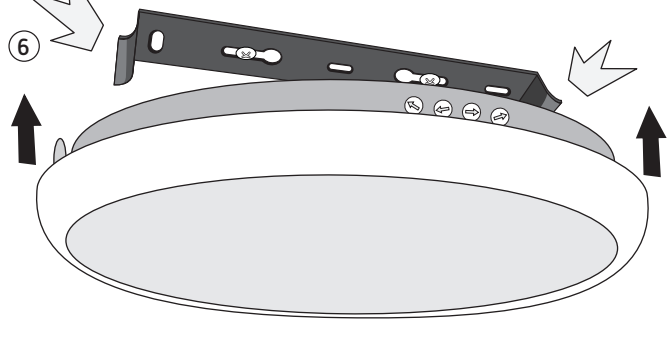
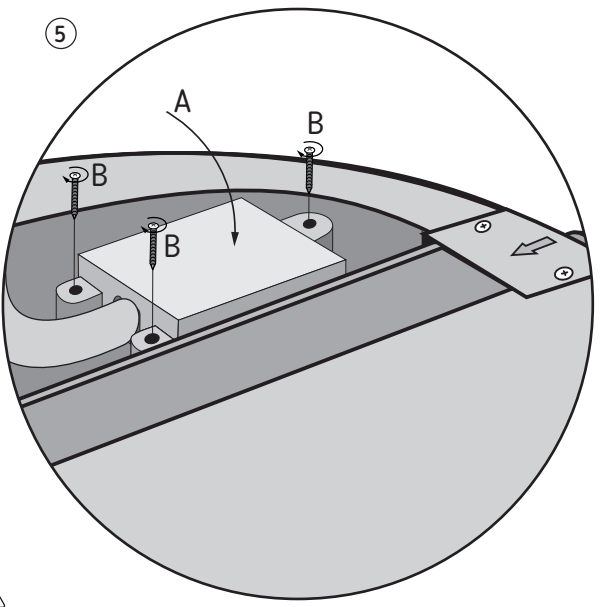
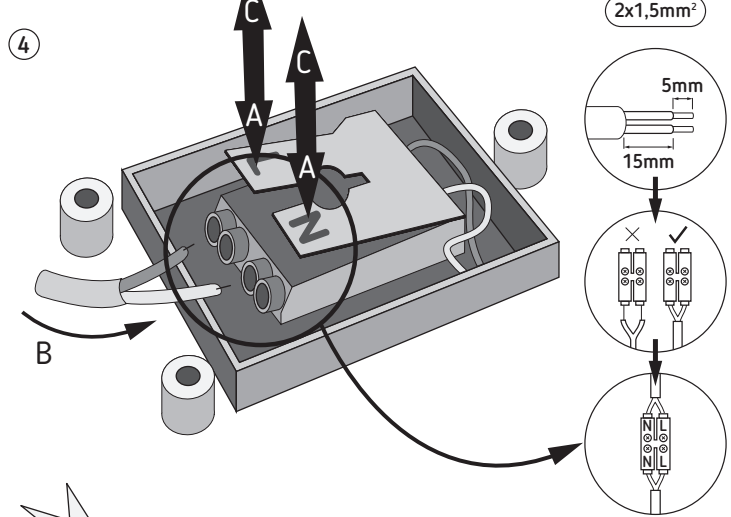
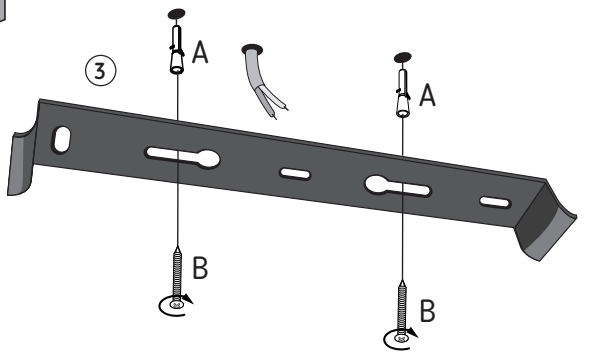
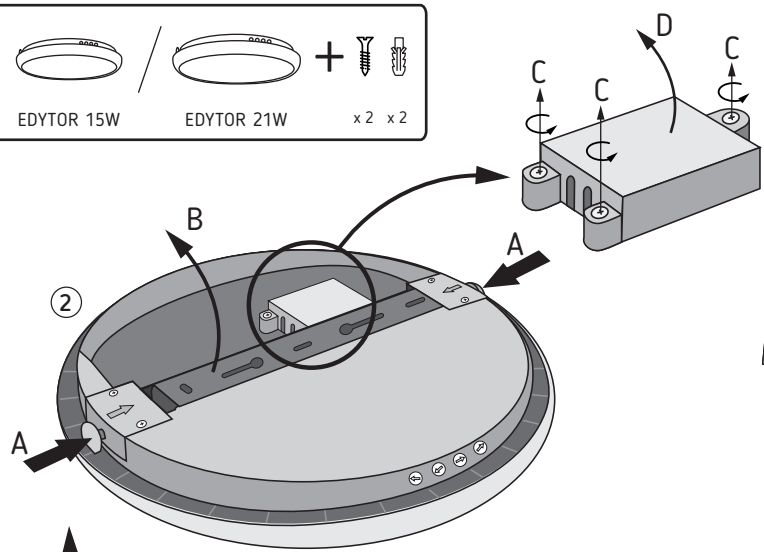
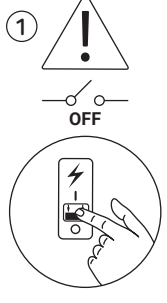




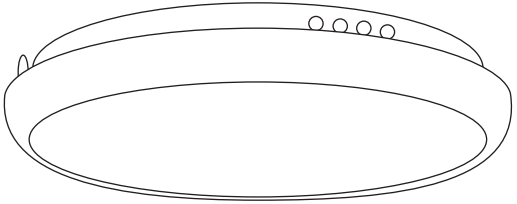





i Frequency Band: 5,8 GHz ± 75 MHz;
RF Power: $\Phi_e < 1,2mW$







1

