


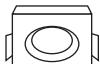
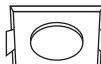










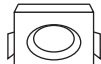











① → ⑦ → ⑥ C, B, A → ⑤ B, A, D → ④ A, B, C, E, D



  <p>ADEL LED C</p>  <p>RIANA LED C</p>  <p>ADEL LED D</p>  <p>STAN LED D</p>  <p>41 ALU</p>  <p>70 GL</p>  <p>07 O</p>	  <p>07 O</p>  <p>40 FE</p>	  <p>ADEL LED C</p>  <p>RIANA LED C</p>   <p>ADEL LED D</p>  <p>STAN LED D</p>   
---------------------------------------------------------------------------------------------------------------------------------------------------------------------------------------------------------------------------------------------------------------------------------------------------------------------------------------------------------------------------------------------------------------------------------------------------------------------------------------------------------------------------------------------------------------------------------------------------------------------------------------------------------------------------------------------------------------------------------------------------------------------------------------------------------------------------------------	-------------------------------------------------------------------------------------------------------------------------------------------------------------------------------------------------------------------------------------------------------------------------------------------------	----------------------------------------------------------------------------------------------------------------------------------------------------------------------------------------------------------------------------------------------------------------------------------------------------------------------------------------------------------------------------------------------------------------------------------------------------------------------------------------------------------------------------------------------------------------------------------------------------------------------------------------------------------------------------------------------------------------------------------------------------------------------------------------------------------------------------------------------------------------------

	 <p>A5</p>  <p>B5</p>  <p>B6</p>  <p>J1</p>	<p>① → ⑦ → ⑥ C, B, A → ⑥ B, A, C → ⑦ → ⑧</p>
----------------------------------------------------------------------------------	---------------------------------------------------------------------------------------------------------------------------------------------------------------------------------------------------------------------------------------------------------------------------------------------------------------------------------------------------------------------------------------------	----------------------------------------------

